

CABINET WITH ARC-1 CONTROL PANEL



DESCRIPTION

The ICAF unit cabinet is made of sturdy 14 gauge steel, measuring 36" x 20" x 71" (91,4 x 50,8 x 180,3 cm) or 46" x 24" x 71" (116,8 x 61 x 180,3 cm) depending on the configuration provided. Refer to Figure 1 for dimensions.

All surfaces are rust proof coated, inside and outside, with fire red, oven baked polyester powder on phosphate base. Cabinet is provided with individual access doors for the hydraulic and electrical sections and the emergency release with a neoprene gasket to avoid vibrations.

Electrical junction boxes are integrated with the cabinet for connection of detection system, auxiliary contacts and signaling devices. Knockouts can be drilled by the installing contractor on-site.

Gauges to indicate air, water supply pressure and priming water pressure are all visible through clear Lexan windows.

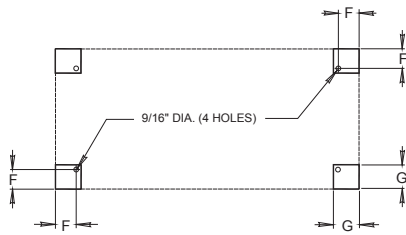
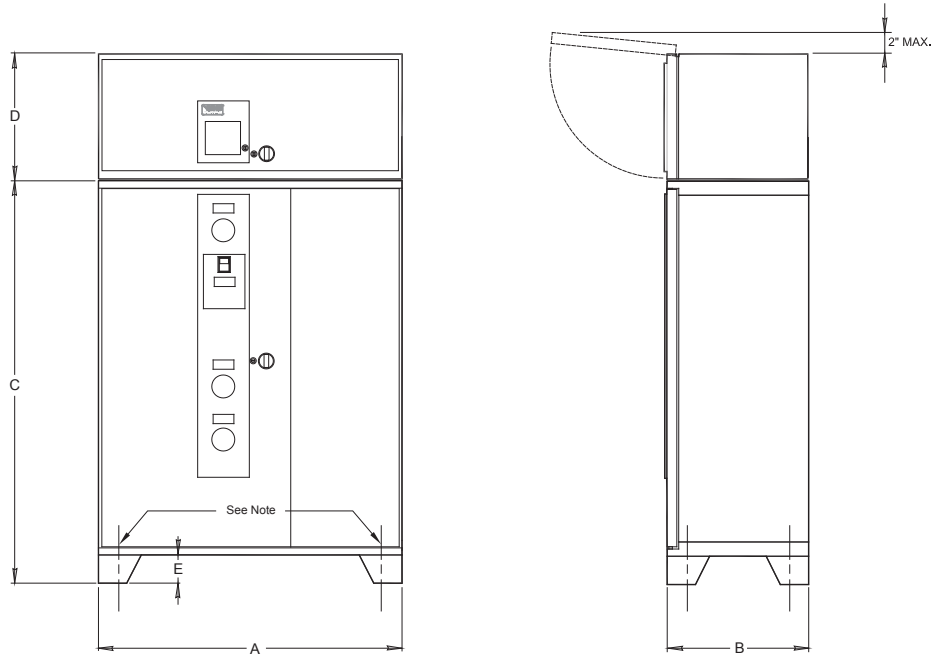
IMPORTANT! ICAF units are NOT designed to be installed where they will be subjected to outdoors and/or freezing conditions. Refer to ENVIRONMENTAL DATA for additional details. Subjecting the unit to conditions outside these limitations might hamper the normal operation of the system.

Cabinet doors are provided with hinges that can easily be disassembled on site to remove the door assemblies for servicing. The cabinet assembly is pre-assembled, pre-wired, and factory tested under ISO-9001 conditions.

Note: The mechanical section of the ICAF and the electrical section are provided in two separate enclosures, stacked one on top of the other.

CABINET WITH ARC-1 CONTROL PANEL

Figure 1 – Cabinet Dimensions



FLOOR ANCHORING PATTERN

FM-061H-0-62A

Cabinet Size	A	B	C	D	E	F	G
Small	36"	20"	57"	14"	4"	2 ³ / ₄ "	4"
Large	46"	24"	57"	14"	4"	2 ³ / ₄ "	4"

Note: Access holes giving access to mounting holes are provided inside the cabinet. Drain pipe shall be connected to an open drain.